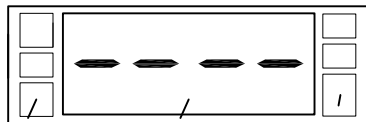


1

2



3

4

Fig.1

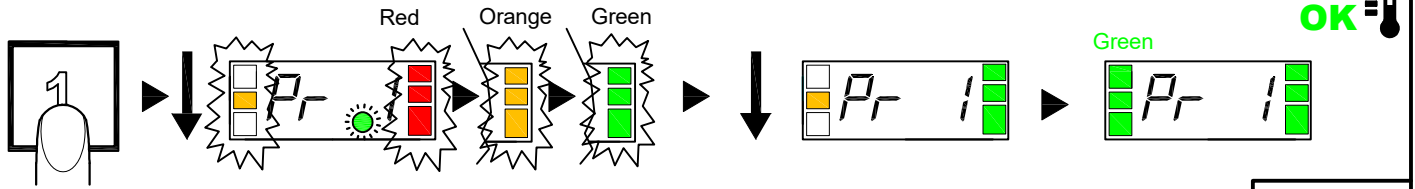


Fig.2

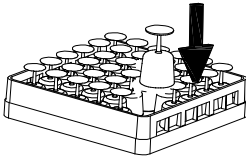
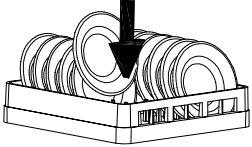
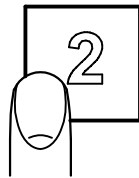


Fig.3

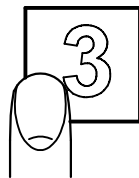
Fig.4



Gr EE

St EE

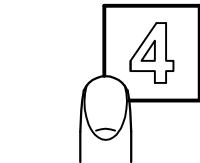
SA n



Pr 1

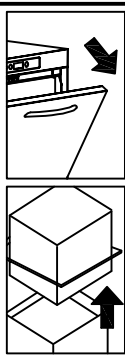
Pr 2

Pr 3



OK

Fig.5



5s



AS

Fig.6

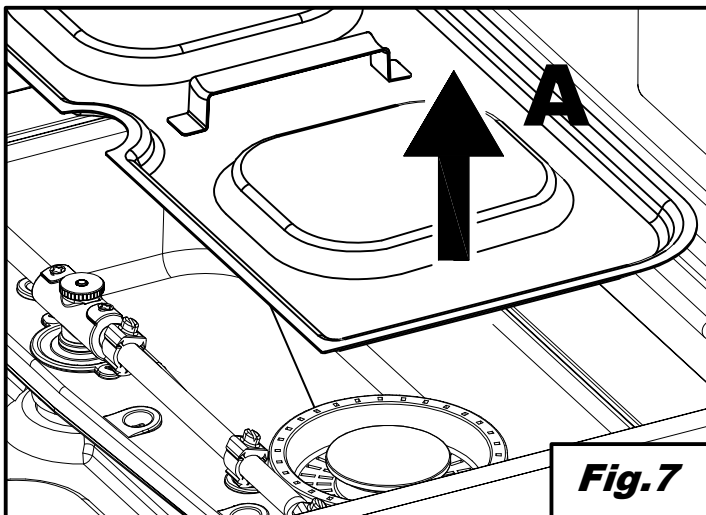


Fig.7

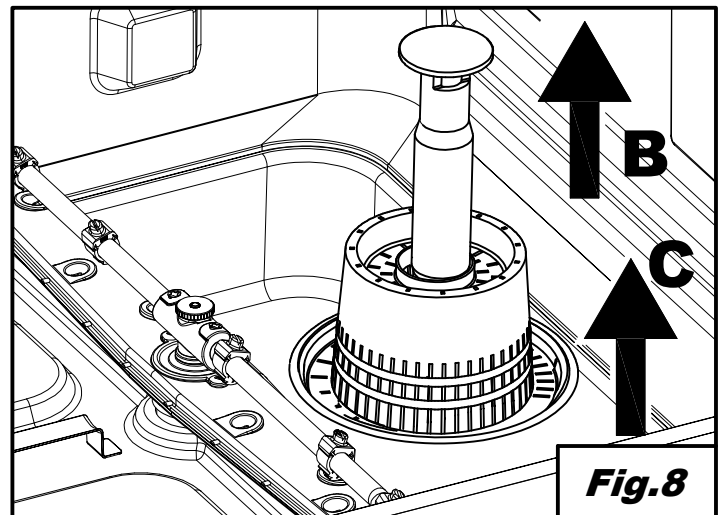


Fig.8

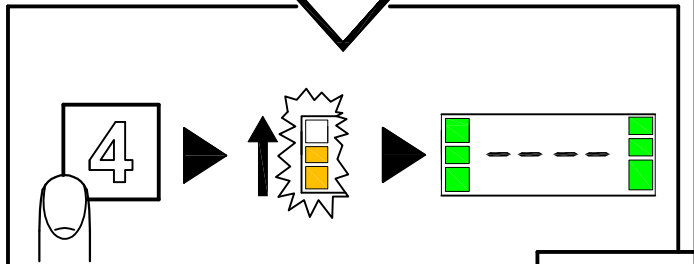
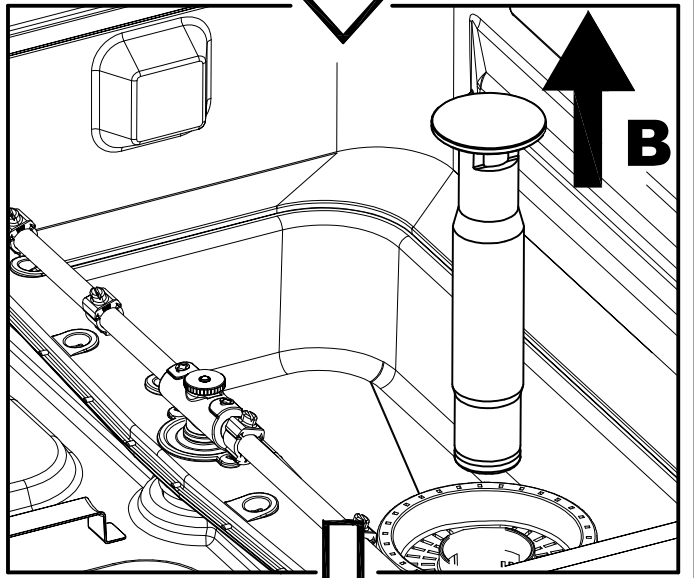
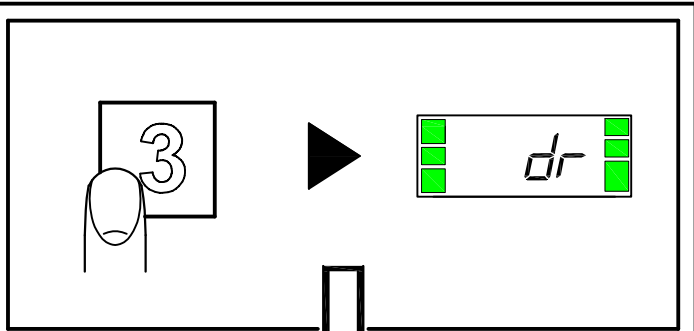


Fig.9

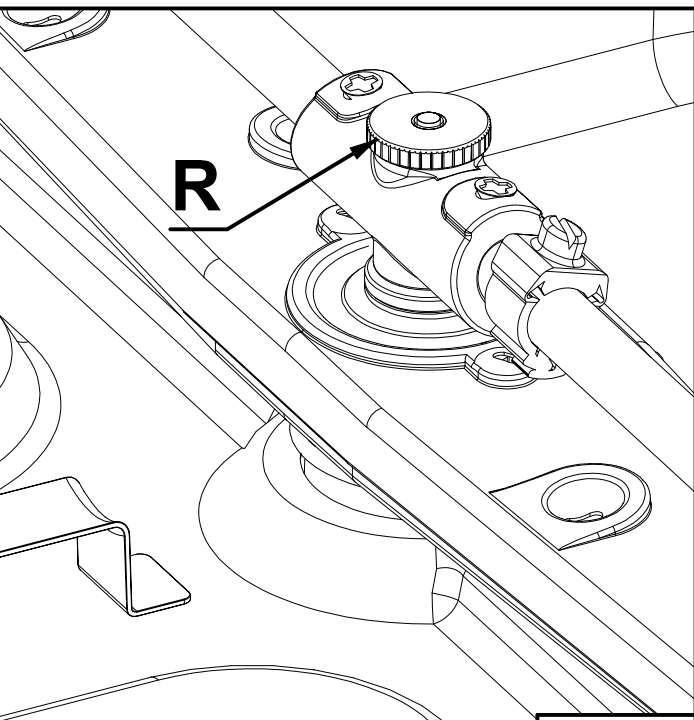


Fig.10

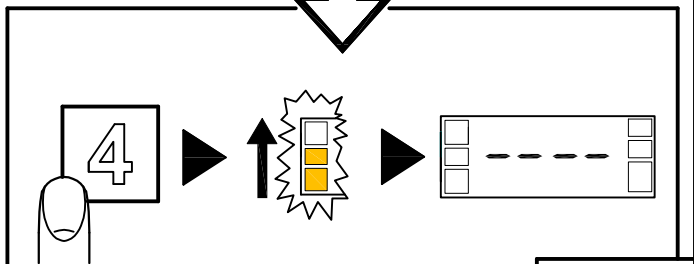
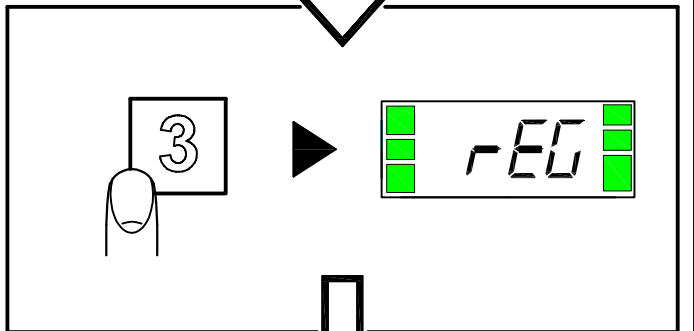
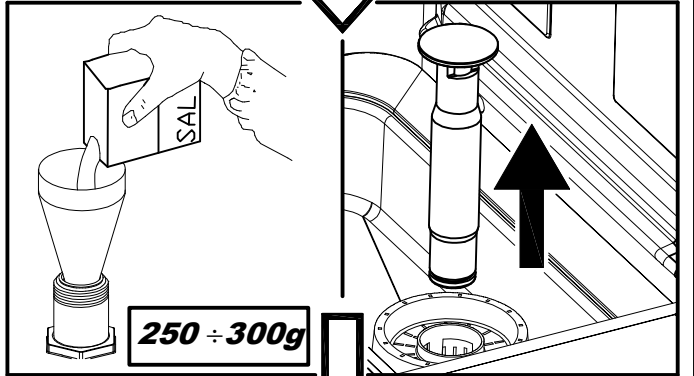
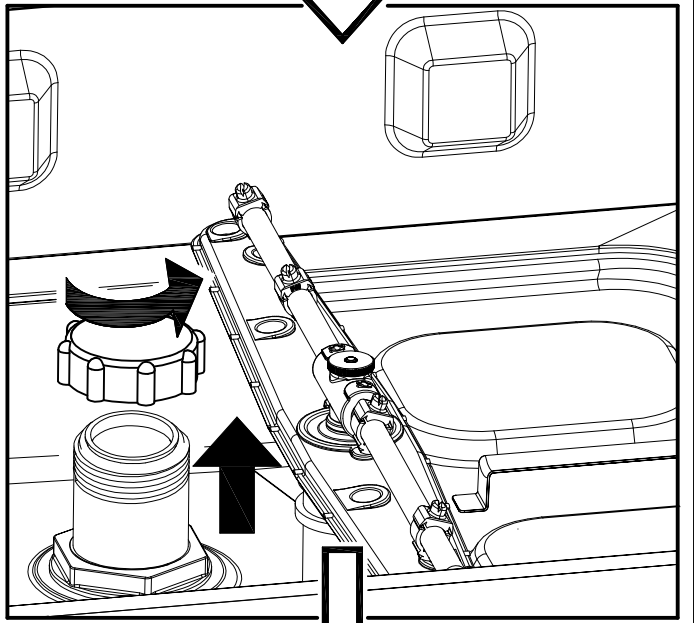
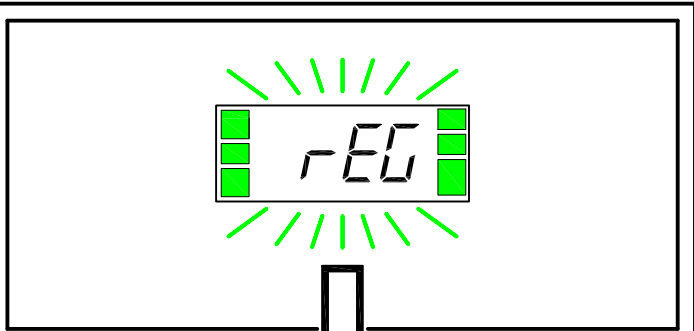


Fig.11