

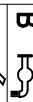
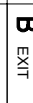


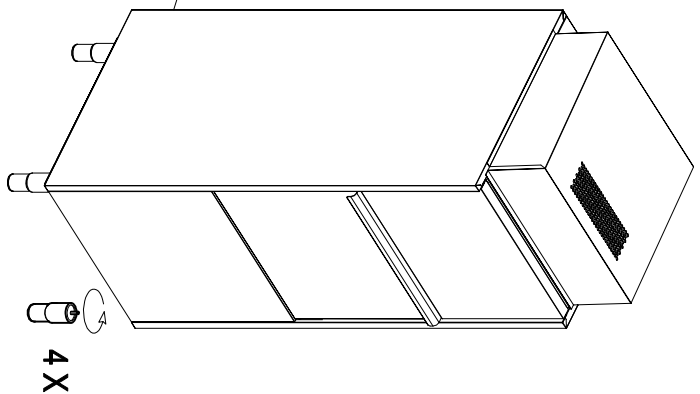
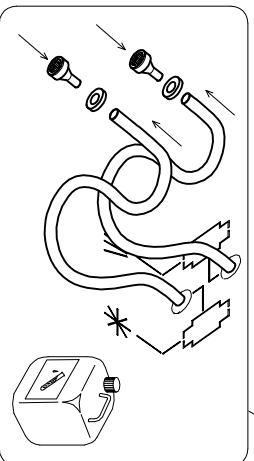
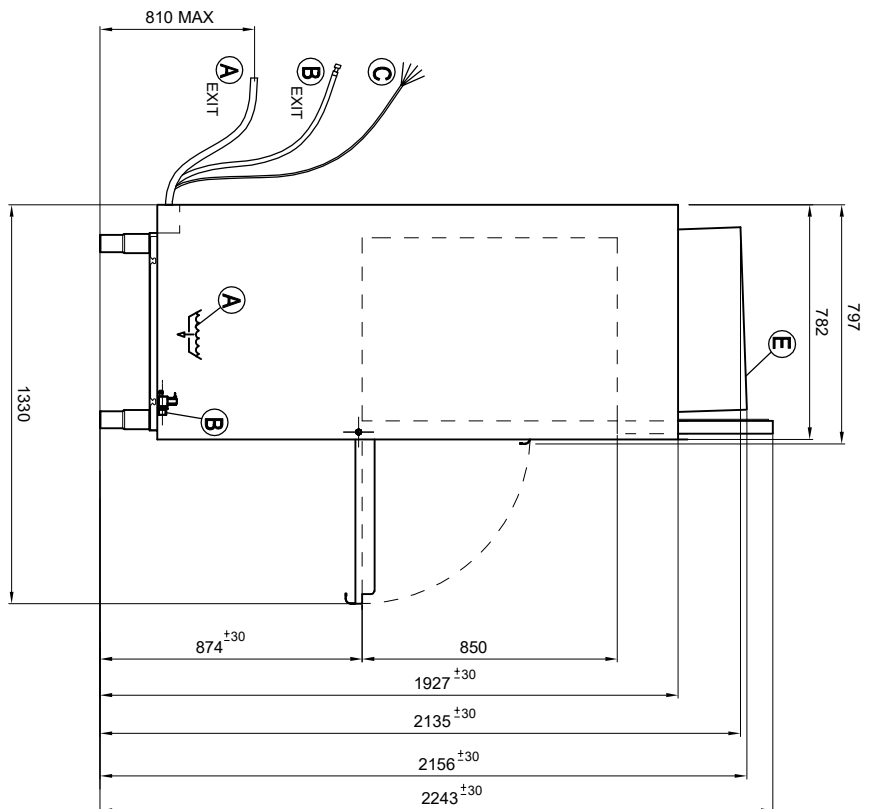
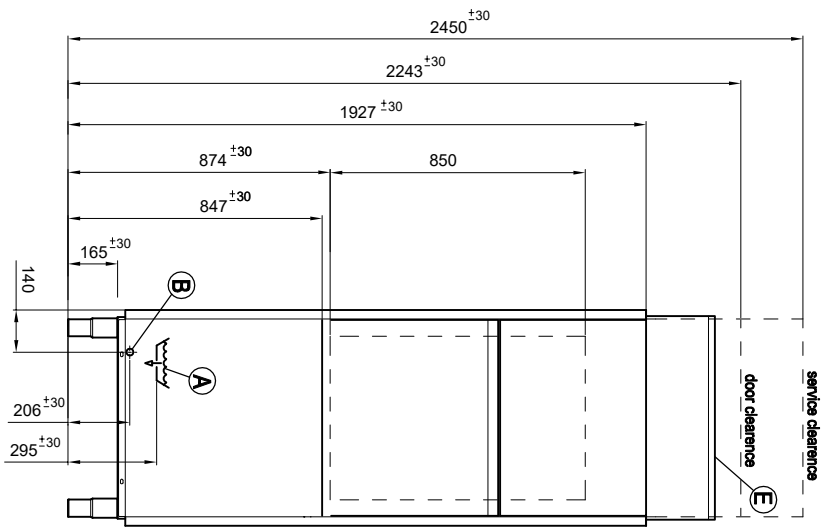
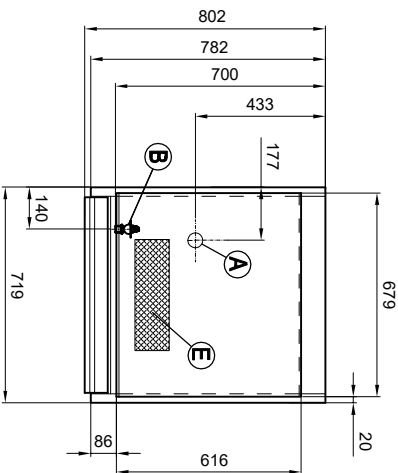


A		∅ 50mm M	A		∅ 35 mm M
B		G 3/4" M	B		G 3/4" F
C		Power supply	E		Steam exhaust



Installation layout
 Designed by: M.FUCCI
 Date: 03.08.2018
 Determination: Utensil washer NRG, Drain P.
 Code: LP5RSP 00
 Rev.:

